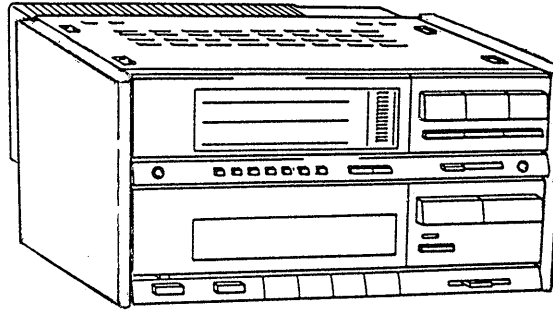


TA-919

SERVICE MANUAL

E Model

TA-919 is the INTEGRATED STEREO AMPLIFIER section in FH-919CD.



SPECIFICATIONS

Peak music power output
380 W (6 ohms)

Inputs

Input jacks	Jack type	Sensitivity	Impedance
PHONO	Phono	2.5 mV	50 kohms
CD/AUX	Phono	450 mV	50 kohms
MIC	Stereo mini	1 mV	600 ohms

Outputs

HEADPHONES (stereo phone jack)	Accepts headphones of 8 ohms or more
SPEAKER	Accepts speakers of 6 to 16 ohms

General

Power requirements 120, 220 or 240 V AC, adjustable, 50/60 Hz

Power consumption 110 W



Dimensions Approx. 245 × 120 × 280 mm (w/h/d)
incl. projecting parts and controls

Weight Approx. 4.5 kg net

TABLE OF CONTENTS

<u>Section</u>	<u>Title</u>	<u>Page</u>
	Specifications	1
1. GENERAL		
	Location and Function of Controls	2
2. DIAGRAMS		
2-1.	IC Block Diagrams	4
2-2.	Printed Wiring Boards	6
2-3.	Schematic Diagram	11
3. EXPLODED VIEWS		17
4. ELECTRICAL PARTS LIST		19

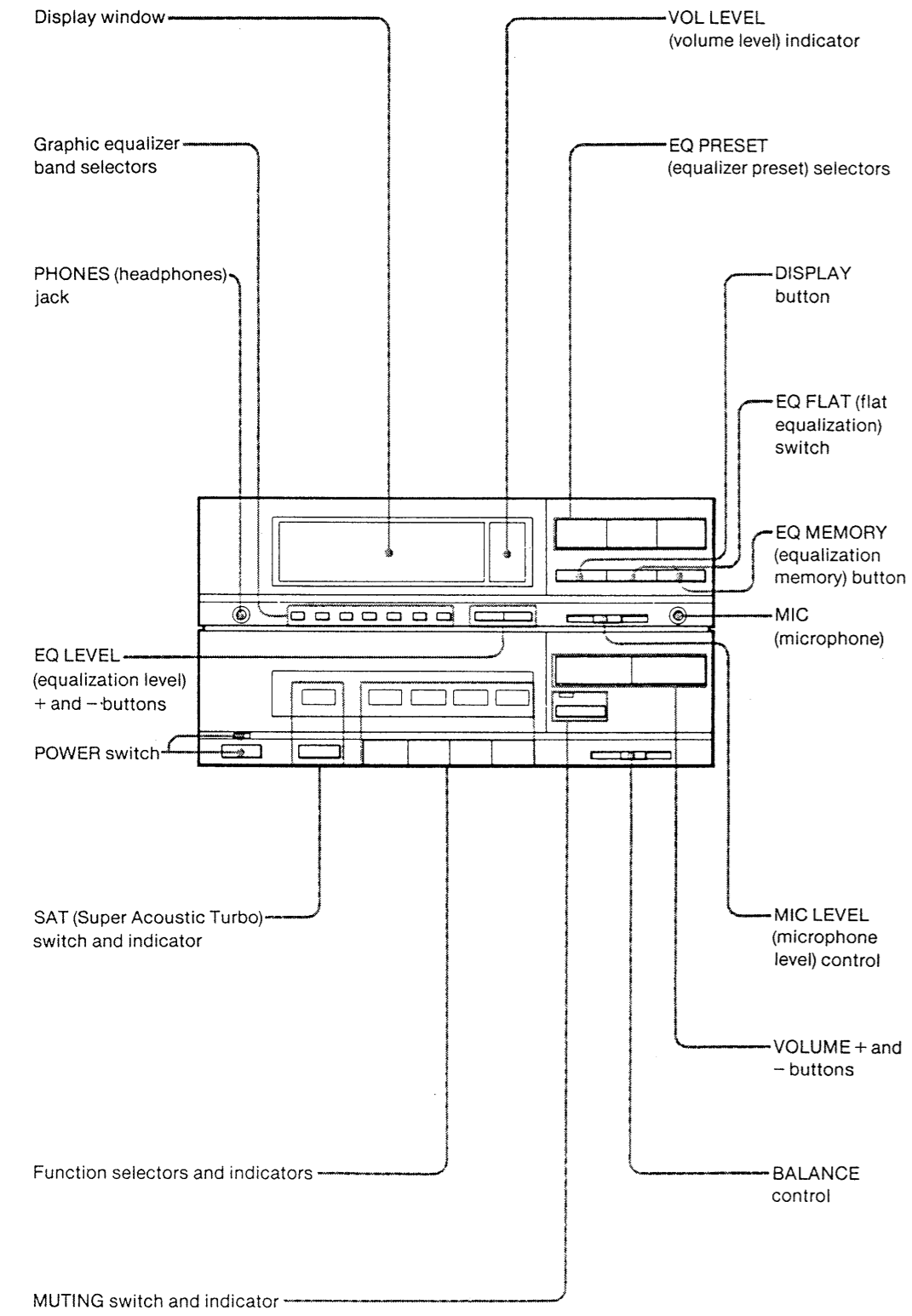
SAFETY-RELATED COMPONENT WARNING!!

COMPONENTS IDENTIFIED BY MARK  OR DOTTED LINE WITH MARK  ON THE SCHEMATIC DIAGRAMS AND IN THE PARTS LIST ARE CRITICAL TO SAFE OPERATION. REPLACE THESE COMPONENTS WITH SONY PARTS WHOSE PART NUMBERS APPEAR AS SHOWN IN THIS MANUAL OR IN SUPPLEMENTS PUBLISHED BY SONY.

INTEGRATED STEREO AMPLIFIER
SONY[®]

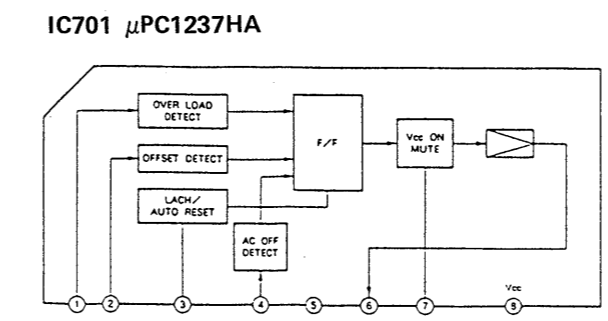
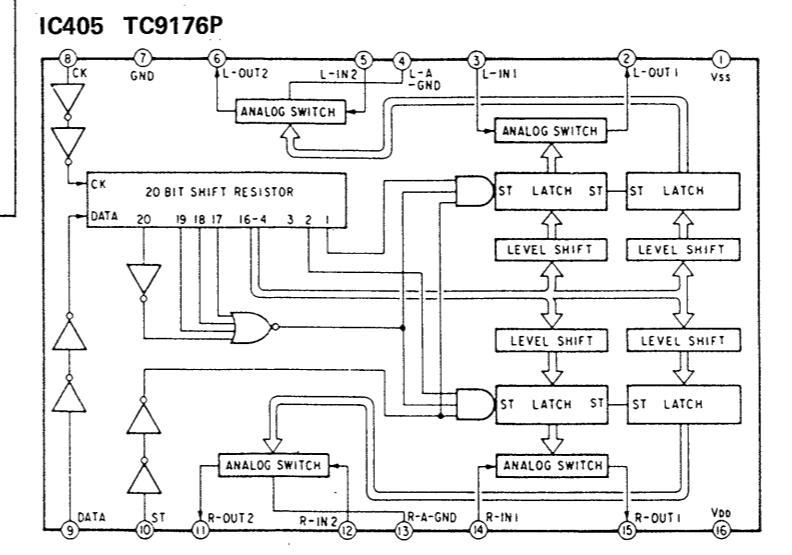
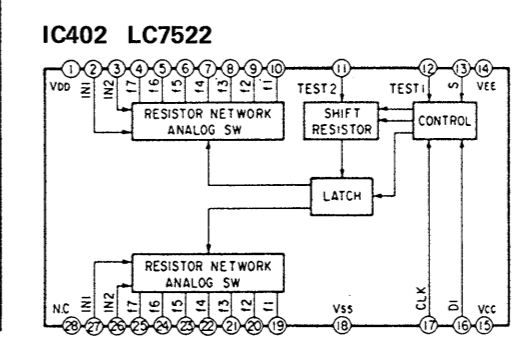
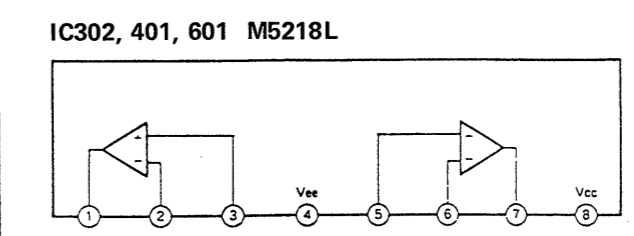
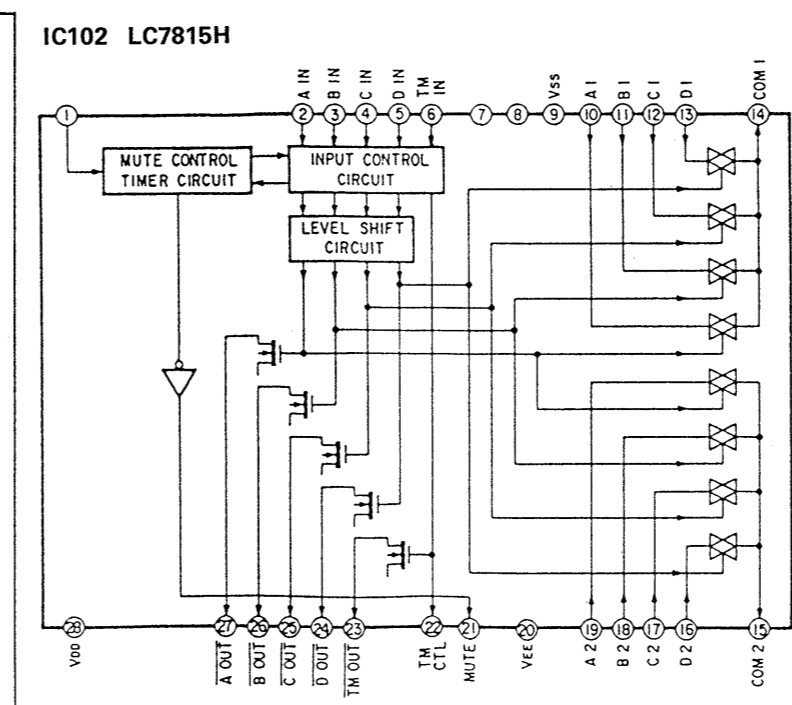
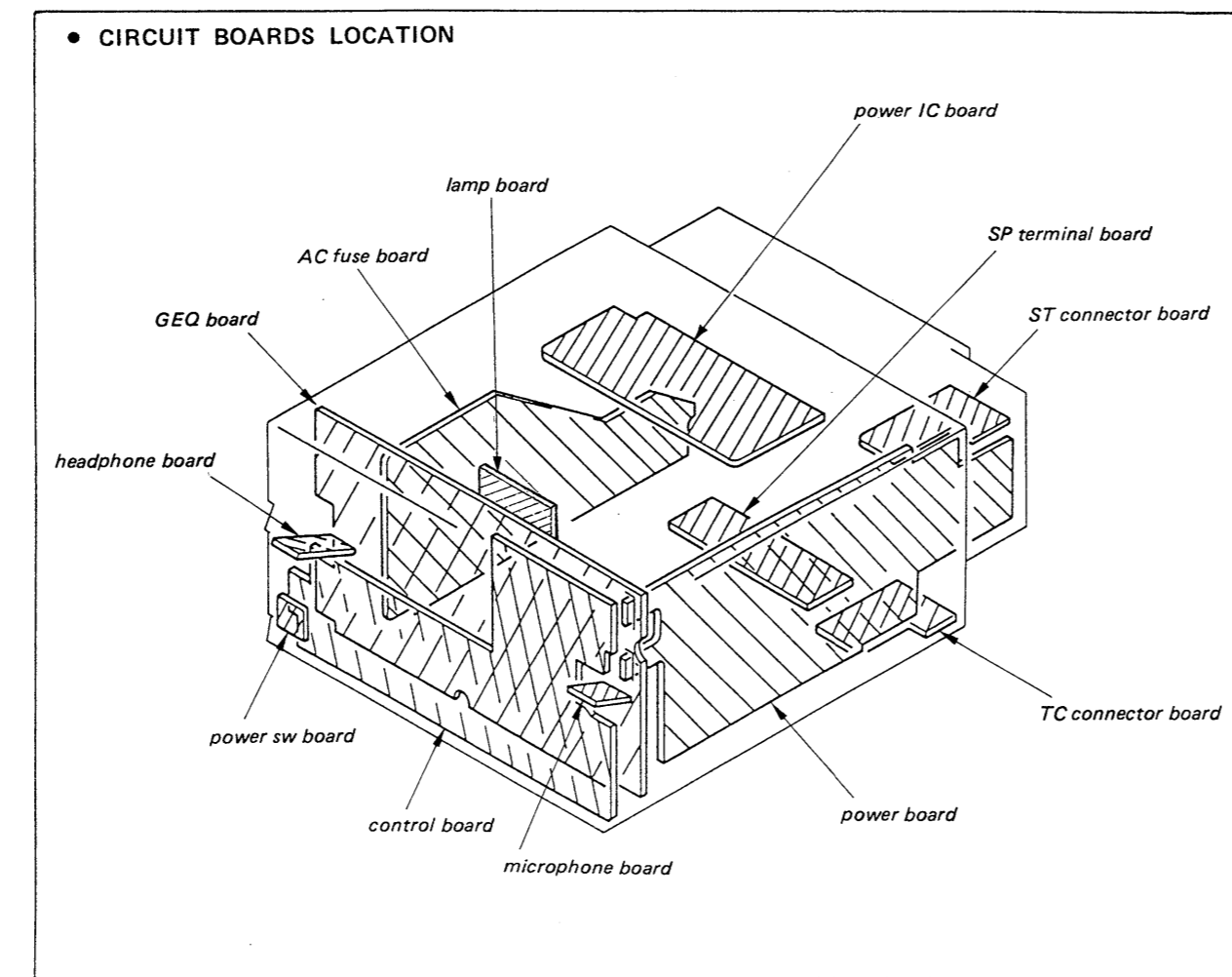
**SECTION 1
GENERAL**

LOCATION AND FUNCTION OF CONTROLS



**SECTION 2
DIAGRAMS**

2-1. IC BLOCK DIAGRAMS



• Semiconductor Lead Layouts

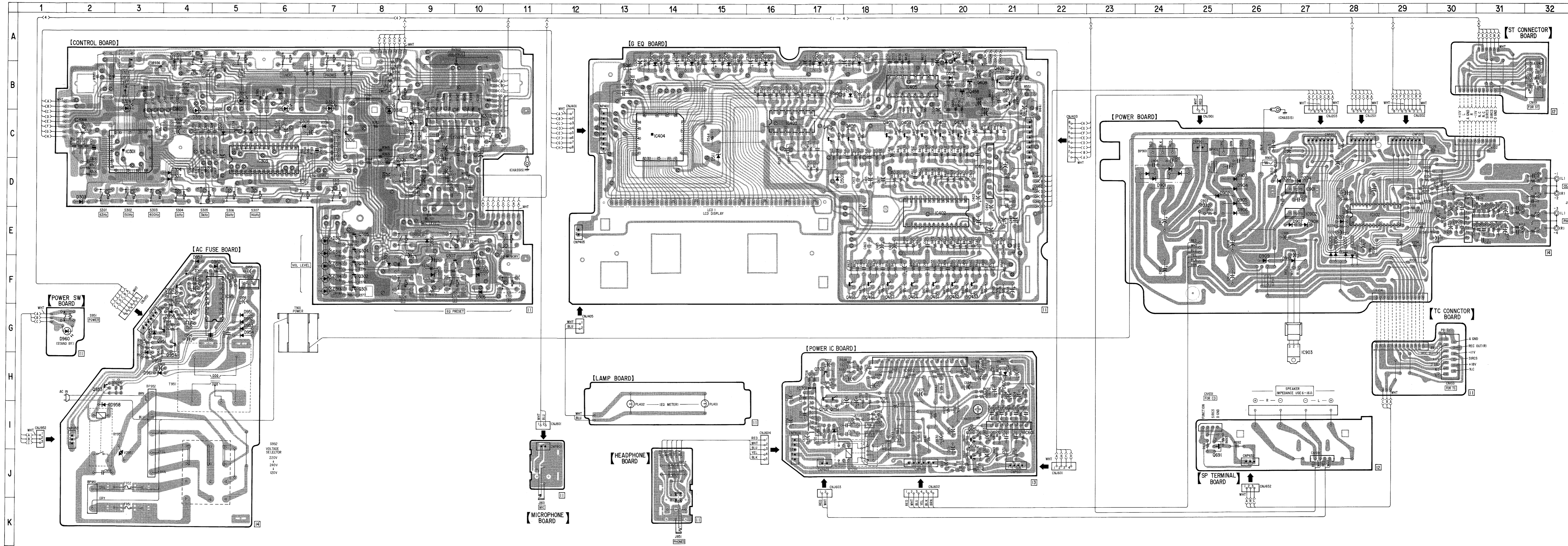
LC6528C-3649 (Top view)	M5F7806 M5F7810 	2SB1068 2SC1841-PA 	AY3427S SEL2413E
LC7060AN LC7560B 	STK4152II 	2SK381-E 	M5F7910
LC7522 LC7815H 	TC9176P 	10E2 US1060M UZL6M1 	2SK381-D
M50765-440SP 	μPC4574C 	RBV-602-01 	
M5218L μPC1237HA 	DTA114ES 2SA1115 2SC634SP-48 	RD4.7ES-L2 	
	2SC2785-HFE 		SEL2210S-C SEL2910A-D

● See page 5 for Semiconductor Lead Layouts.

● Semiconductor Location

Ref. No.	Location	Ref. No.	Location
D201	E-28	IC101	D-30
D202	E-28	IC102	E-29
D203	D-27	IC301	C-3
D204	D-27	IC302	C-10
D205	E-28	IC303	D-6
D206	E-28	IC401	D-21
D207	E-28	IC402	E-20
D301	C-5	IC403	C-16
D303	D-2	IC404	C-14
D304	D-4	IC405	B-19
D305	F-10	IC601	I-21
D306	F-9	IC602	H-19
D307	D-4	IC701	H-17
D308	C-6	IC901	D-27
D309	F-8	IC902	E-27
D310	F-10	IC903	H-27
D311	F-9	IC951	F-5
D313	F-7	IC952	F-5
D314	F-7	Q301	F-7
D315	F-7	Q302	F-7
D316	E-7	Q303	F-7
D317	E-7	Q304	E-7
D318	B-8	Q305	E-7
D319	C-4	Q306	C-7
D320	B-5	Q307	F-10
D321	B-6	Q308	D-8
D322	B-7	Q401	C-19
D323	C-5	Q402	C-20
D324	B-3	Q403	C-20
D325	C-9	Q404	C-19
D501	B-18	Q405	C-17
D502	A-18	Q406	C-18
D503	A-17	Q407	C-19
D504	A-16	Q408	B-20
D505	A-15	Q409	B-21
D506	A-14	Q410	A-20
D507	A-14	Q451	F-20
D508	A-20	Q452	F-20
D509	D-17	Q453	F-20
D510	B-20	Q454	F-19
D511	C-15	Q455	F-18
D601	H-21	Q456	F-18
D701	H-17	Q457	F-19
D901	D-24	Q458	B-20
D902	D-25	Q459	B-21
D903	D-26	Q601	J-20
D904	D-26	Q651	I-20
D905	D-26	Q701	I-17
D906	E-26	Q702	H-17
D907	E-27	Q751	I-17
D908	E-27	Q951	G-4
D909	F-26	Q952	F-4
D910	F-27	Q953	H-2
D951	G-5	Q954	G-4
D952	G-5		
D953	G-5		
D954	G-3		
D955	G-3		
D956	G-4		
D957	F-4		
D958	I-2		
D959	H-3		
D960	G-2		
D961	H-3		
D962	F-5		

Note :
 ● : parts mounted on the conductor side.
 ⊗ : Through hole.
 ○ : Pattern on the side which is seen.
 ○ : Pattern of the rear side.



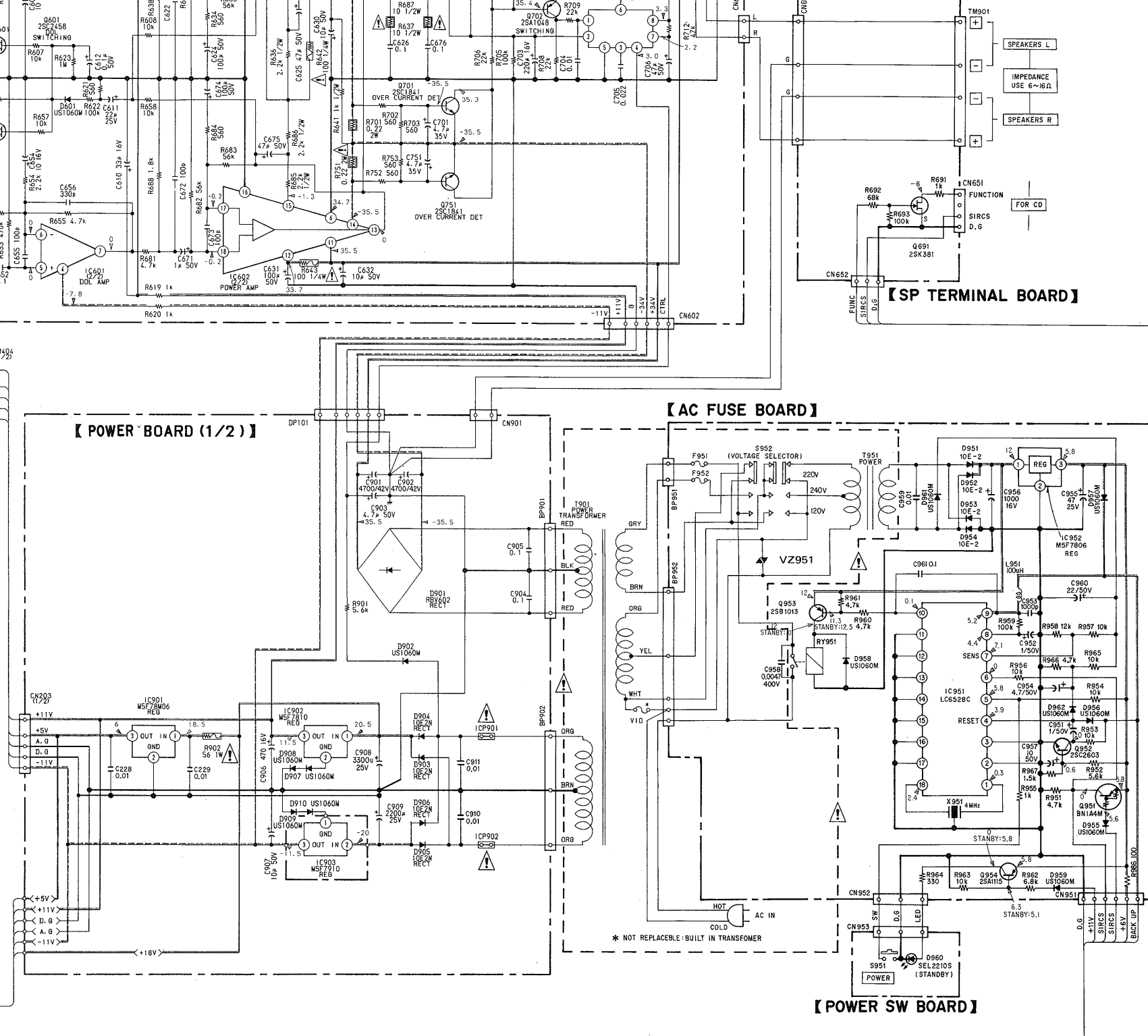
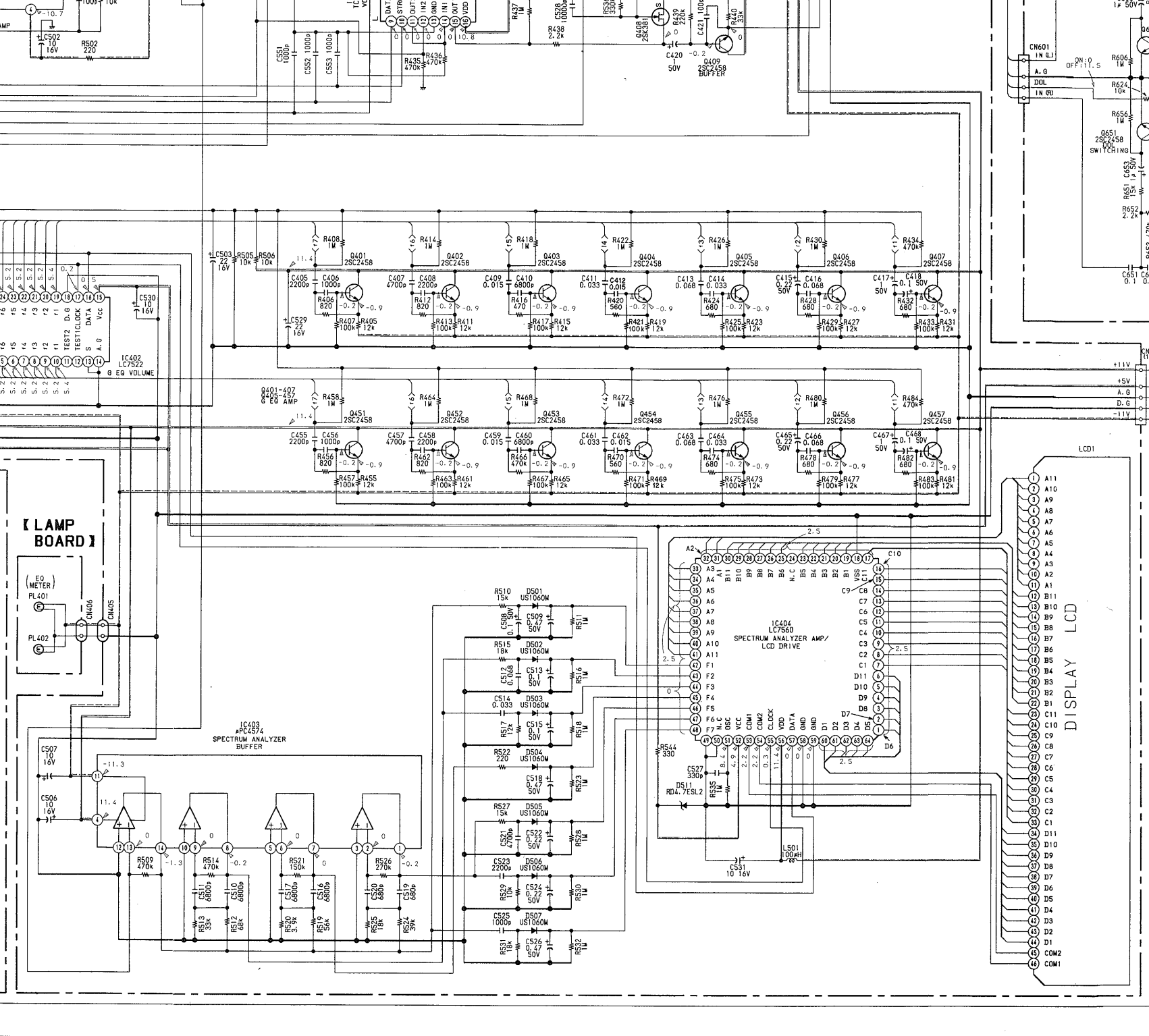
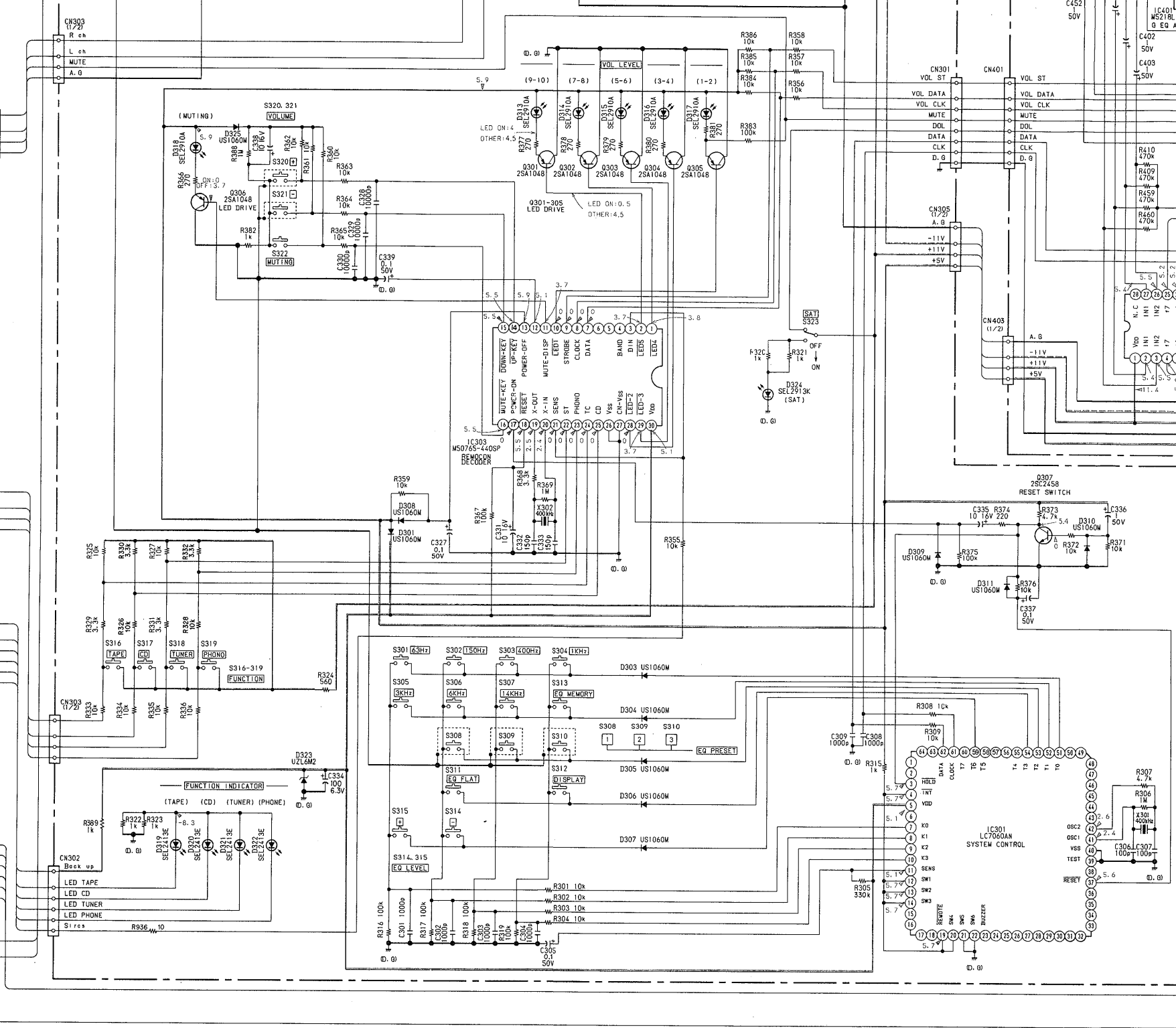
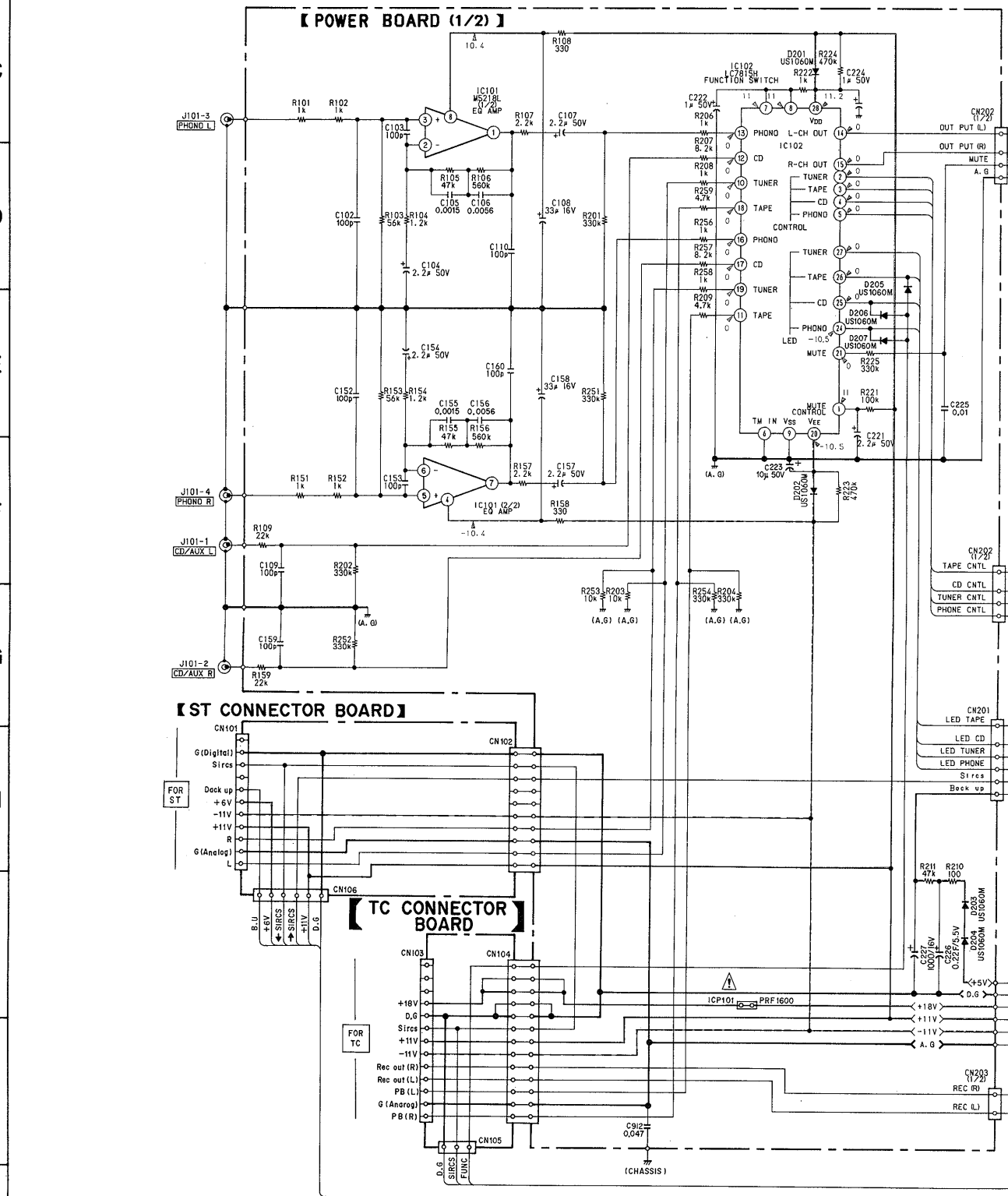
2-3. SCHEMATIC DIAGRAM

- All capacitors are in μF unless otherwise noted. pF: μF 50 WV or less are not indicated except for electrolytics and tantalums.
- All resistors are in Ω and $\%W$ or less unless otherwise specified.
- : nonflammable resistor.
- : fusible resistor.
- : Line.
- : Line.
- AC voltage readings in the bias oscillator with a VTVM.
- Voltage and waveforms are dc with respect to ground under no-signal conditions.

Note: The components identified by mark Δ or dotted line with mark Δ are critical for safety. Replace only with part number specified.

Voltage are taken with a VOM (50 k Ω /V). Voltage variations may be noted due to normal production tolerances.

Signal path. : PHONO



SECTION 3 EXPLODED VIEWS

NOTE:

- The mechanical parts with no reference number in the exploded views are not supplied.
- The construction parts of an assembled part are indicated with a collation number in the remark column.
- Items marked "★" are not stocked since they are seldom required for routine service. Some delay should be anticipated when ordering these items.

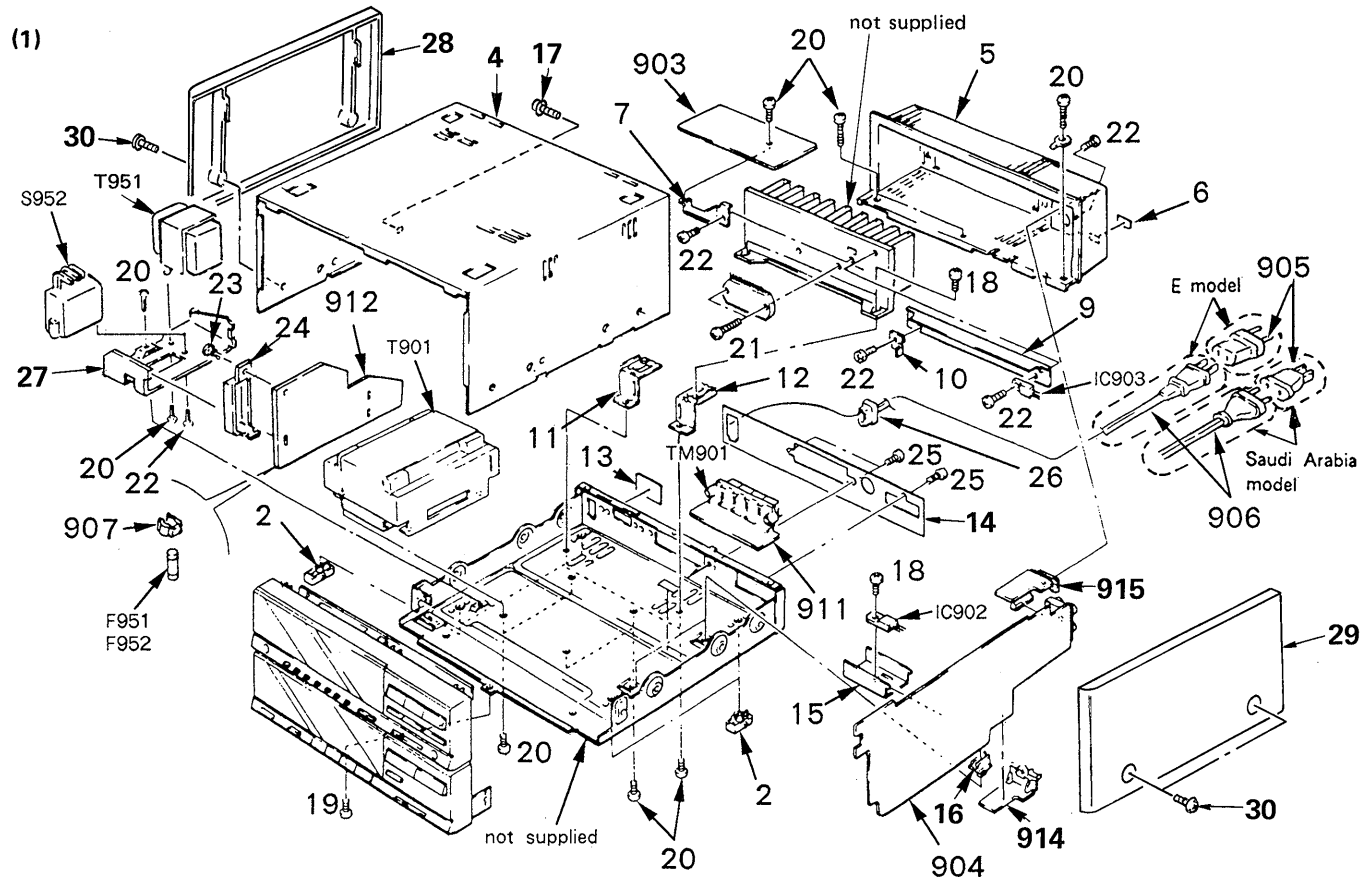
- Due to standardization, parts with part number suffix -XX and -X may be different from the parts specified in the components used on the set.

- Color Indication of Appearance Parts
Example:
(RED) ... KNOB, BALANCE (WHITE)

↑
Cabinet's Color

↑
Parts Color

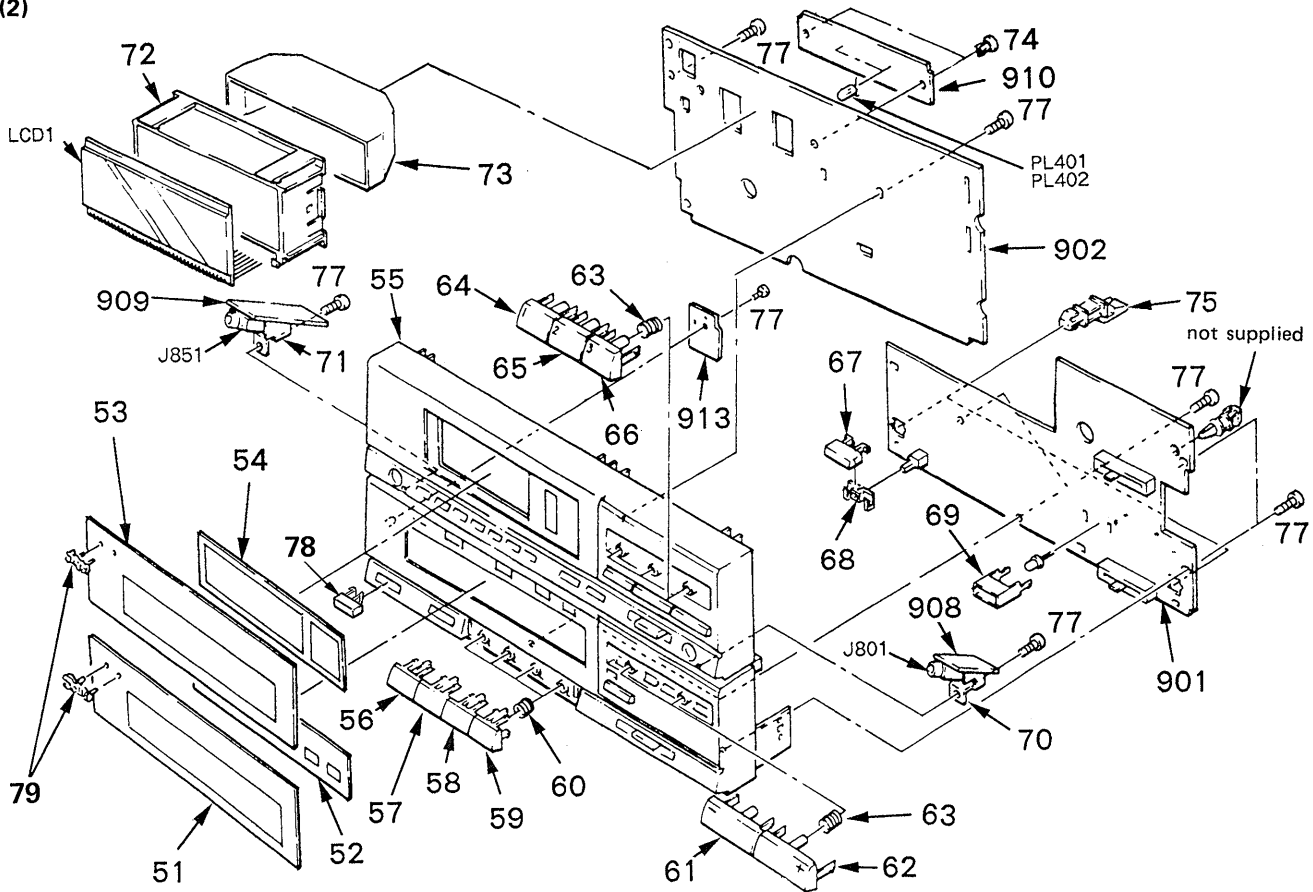
The components identified by mark or dotted line with mark are critical for safety. Replace only with part number specified.



Ref.No	Part No.	Description	Remark
2	X-4902-937-1	FOOT ASSY, RUBBER	
4	4-920-118-01	CASE	
5	*4-920-116-11	PLATE, JACK	
6	*4-920-876-01	LABEL (PHONO)	
7	*4-910-064-01	BRACKET (H), PC BOARD	
9	*4-920-112-01	PLATE, BLOCK	
10	*4-920-171-01	BRACKET	
11	*4-914-393-01	BRACKET (LEFT), HEAT SINK	
12	*4-914-394-01	BRACKET (RIGHT), HEAT SINK	
13	*4-930-379-01	LABEL, MODEL NUMBER (E)	
14	*4-920-885-01	COVER, REAR	
15	*4-880-403-11	HEAT SINK	
16	*3-642-310-00	HOLDER, CIRCUIT BOARD	
17	4-847-802-00	SCREW	
18	7-682-548-04	SCREW +BVTT 3X8 (S)	
19	7-685-870-01	SCREW +BVTT 3X5 (S)	
20	7-682-547-04	SCREW +BVTT 3X6 (S)	
21	7-685-650-79	SCREW +BVTP 3X16 TYPE2 IT-3	
22	7-685-647-79	SCREW +BVTP 3X10 TYPE2 IT-3	
23	4-812-134-00	RIVET NYLON, 3.5	
24	*4-925-571-01	COVER (INSULATING)	
25	7-685-646-79	SCREW +BVTP 3X8 TYPE2 N-S	
26	3-703-571-00	(E)...BUSHING (S) (4516), CORD	
26	*3-703-244-00	(Saudi Arabia)...BUSHING (2104), CORD	

Ref.No	Part No.	Description	Remark
27	*4-920-884-01	BRACKET (A)	
28	4-925-525-01	PLATE (B-L), SIDE	
29	4-925-524-01	PLATE (B-R), SIDE	
30	4-886-821-51	SCREW, CASE, (M3X14)	
903	*A-4388-729-A	MOUNTED PCB, POWER IC	
904	*A-4394-460-A	MOUNTED PCB, POWER	
905	1-506-401-11	(Saudi Arabia)... ADAPTOR, CONVERSION	
905	1-526-565-00	(E)... AC PLUG ADAPTOR	
906	1-551-188-XX	(E)... CORD, POWER	
906	1-555-750-00	(Saudi Arabia)... CORD, POWER	
907	1-533-183-11	HOLDER, FUSE	
911	*1-626-124-11	PC BOARD, SP TERMINAL	
912	*1-626-125-11	PC BOARD, AC FUSE	
914	*1-626-128-11	PC BOARD, TC CONNECTOR	
915	*1-626-129-11	PC BOARD, ST CONNECTOR	
F951	1-532-285-00	FUSE, TIME-LAG (1.25A)	
F952	1-532-285-00	FUSE, TIME-LAG (1.25A)	
S952	1-571-437-11	SWITCH, POWER VOLTAGE CHANGE (VOLTAGE SELECTOR)	
T901	1-448-879-11	TRANSFORMER, POWER	
T951	1-449-194-11	TRANSFORMER, POWER	
TM901	1-536-705-00	TERMINAL BOARD (SP)	

(2)



Ref.No	Part No.	Description	Remark	Ref.No	Part No.	Description	Remark
51	4-925-521-21	PLATE (TA), ORNAMENTAL		70	*4-914-391-01	BRACKET, MIC	
52	4-914-397-31	PLATE (FUNCTION), INDICATION		71	*4-914-392-01	BRACKET, HP	
53	4-925-520-11	PLATE (GE), ORNAMENTAL		72	*X-4910-090-1	ILLUMINATOR ASSY	
54	4-914-395-11	PLATE, INDICATION		73	*4-920-101-01	HOUSE, LAMP	
55	X-4919-666-1	PANEL ASSY		74	4-812-134-00	RIVET NYLON, 3.5	
56	4-914-387-41	BUTTON (FUNCTION) (TAPE)		75	*4-839-304-00	HOLDER, CIRCUIT BOARD	
57	4-914-387-51	BUTTON (FUNCTION) (CD)		77	7-685-646-79	SCREW +BVTP 3X8 TYPE2 N-S	
58	4-914-387-61	BUTTON (FUNCTION) (TUNER)		78	4-914-396-71	BUTTON (POWER)	
59	4-914-387-71	BUTTON (FUNCTION) (PHONO)		79	4-920-869-11	EMBLEM, SONY	
60	3-538-940-01	SPRING, COMPRESSION		901	*A-4375-370-A	MOUNTED PCB, CONTROL	
61	4-920-105-51	BUTTON (VOLUME)		902	*A-4375-371-A	MOUNTED PCB, GEQ	
62	4-920-105-41	BUTTON (VOLUME)		908	*1-622-153-11	PC BOARD, MICROPHONE	
63	3-564-333-21	SPRING, COMPRESSION		909	*1-622-154-11	PC BOARD, HEADPHONE	
64	4-925-519-31	BUTTON (GE PRESET)		910	*1-622-155-11	PC BOARD, LAMP	
65	4-925-519-41	BUTTON (GE PRESET)		913	*1-626-126-11	PC BOARD, POWER SW	
66	4-925-519-51	BUTTON (GE PRESET)		J801	1-507-974-11	JACK (MIC)	
67	4-914-388-21	BUTTON (DOL) (SAT)		J851	1-563-951-11	JACK (PHONES)	
68	*4-914-390-01	JOINT, DOL		LCD1	1-807-813-11	DISPLAY PANEL, LIQUID CRYSTAL	
69	*4-904-509-01	HOLDER (B), LED		PL401	1-518-527-51	LAMP, PILOT	
				PL402	1-518-527-51	LAMP, PILOT	

SECTION 4 ELECTRICAL PARTS LIST

NOTE:

- Due to standardization, replacements in the parts list may be different from the parts specified in the diagrams or the components used on the set.
- Items marked "★" are not stocked since they are seldom required for routine service. Some delay should be anticipated when ordering these items.
- If there are two or more same circuits in a set such as a stereophonic machine, only typical circuit parts may be indicated and capacitors and resistors in other same circuits may be omitted.

CAPACITORS:
MF: μ F, PF: μ MF.

RESISTORS
• All resistors are in ohms.
• F: nonflammable

COILS
• MMH: mH, UH: μ H

SEMICONDUCTORS
In each case, U: μ , for example:
UA...: μ A..., UPA...: μ PA...,
UPC...: μ PC, UPD...: μ PD...



The components identified by mark Δ or dotted line with mark Δ are critical for safety. Replace only with part number specified.

Ref.No	Part No.	Description				Ref.No	Part No.	Description			
901	*A-4375-370-A	MOUNTED PCB, CONTROL				C305	1-124-463-00	ELECT	0.1MF	20%	50V
902	*A-4375-371-A	MOUNTED PCB, GEQ				C306	1-162-282-31	CERAMIC	100PF	10%	50V
903	*A-4388-729-A	MOUNTED PCB, POWER IC				C307	1-162-282-31	CERAMIC	100PF	10%	50V
904	*A-4394-460-A	MOUNTED PCB, POWER				C308	1-162-294-31	CERAMIC	0.001MF	10%	50V
905	Δ 1-506-401-11	(Saudi Arabia)...ADAPTOR, CONVERSION				C309	1-162-294-31	CERAMIC	0.001MF	10%	50V
905	Δ 1-526-565-00	(E)...AC PLUG ADAPTOR				C310	1-124-438-00	ELECT	1MF	20%	50V
906	Δ 1-551-188-XX	(E)...CORD, POWER				C311	1-161-379-00	CERAMIC	0.01MF	30%	16V
906	Δ 1-555-750-00	(Saudi Arabia)...CORD, POWER				C312	1-124-438-00	ELECT	1MF	20%	50V
907	1-533-183-11	HOLDER, FUSE				C313	1-161-494-00	CERAMIC	0.022MF		25V
908	*1-622-153-11	PC BOARD, MICROPHONE				C314	1-126-157-11	ELECT	10MF	20%	16V
909	*1-622-154-11	PC BOARD, HEADPHONE				C315	1-126-157-11	ELECT	10MF	20%	16V
910	*1-622-155-11	PC BOARD, LAMP				C316	1-162-282-31	CERAMIC	100PF	10%	50V
911	*1-626-124-11	PC BOARD, SP TERMINAL				C317	1-162-282-31	CERAMIC	100PF	10%	50V
912	*1-626-125-11	PC BOARD, AC FUSE				C318	1-162-215-31	CERAMIC	47PF	5%	50V
913	*1-626-126-11	PC BOARD, POWER SW				C319	1-162-215-31	CERAMIC	47PF	5%	50V
914	*1-626-128-11	PC BOARD, TC CONNECTOR				C322	1-126-157-11	ELECT	10MF	20%	16V
915	*1-626-129-11	PC BOARD, ST CONNECTOR				C327	1-124-463-00	ELECT	0.1MF	20%	50V
BP901	*1-508-830-12	H TYPE BASE POST				C328	1-161-379-00	CERAMIC	0.01MF	30%	16V
BP902	*1-508-830-12	H TYPE BASE POST				C329	1-161-379-00	CERAMIC	0.01MF	30%	16V
BP951	*1-535-139-00	BASE POST 22MM (10MM PITCH) 2P				C330	1-161-379-00	CERAMIC	0.01MF	30%	16V
BP952	*1-535-142-00	BASE POST 22MM (10MM PITCH) 5P				C331	1-126-157-11	ELECT	10MF	20%	16V
CAPACITOR											
C102	1-162-282-31	CERAMIC	100PF	10%	50V	C332	1-162-284-31	CERAMIC	150PF	10%	50V
C103	1-162-282-31	CERAMIC	100PF	10%	50V	C333	1-162-284-31	CERAMIC	150PF	10%	50V
C104	1-124-925-11	ELECT	2.2MF	20%	50V	C334	1-126-177-11	ELECT	100MF	20%	6.3V
C105	1-130-473-00	MYLAR	0.0015MF	5%	50V	C335	1-126-157-11	ELECT	10MF	20%	16V
C106	1-130-480-00	MYLAR	0.0056MF	5%	50V	C336	1-124-438-00	ELECT	1MF	20%	50V
C107	1-124-925-11	ELECT	2.2MF	20%	50V	C337	1-124-463-00	ELECT	0.1MF	20%	50V
C108	1-124-963-11	ELECT	33MF	20%	16V	C338	1-126-157-11	ELECT	10MF	20%	16V
C109	1-162-282-31	CERAMIC	100PF	10%	50V	C339	1-124-463-00	ELECT	0.1MF	20%	50V
C110	1-162-282-31	CERAMIC	100PF	10%	50V	C340	1-162-294-31	CERAMIC	0.001MF	10%	50V
C152	1-162-282-31	CERAMIC	100PF	10%	50V	C345	1-161-379-00	CERAMIC	0.01MF	30%	16V
C153	1-162-282-31	CERAMIC	100PF	10%	50V	C401	1-162-282-31	CERAMIC	100PF	10%	50V
C154	1-124-925-11	ELECT	2.2MF	20%	50V	C402	1-124-438-00	ELECT	1MF	20%	50V
C155	1-130-473-00	MYLAR	0.0015MF	5%	50V	C403	1-124-438-00	ELECT	1MF	20%	50V
C156	1-130-480-00	MYLAR	0.0056MF	5%	50V	C405	1-161-375-00	CERAMIC	0.0022MF	30%	16V
C157	1-124-925-11	ELECT	2.2MF	20%	50V	C406	1-162-294-31	CERAMIC	0.001MF	10%	50V
C158	1-124-963-11	ELECT	33MF	20%	16V	C407	1-161-377-00	CERAMIC	0.0047MF	30%	16V
C159	1-162-282-31	CERAMIC	100PF	10%	50V	C408	1-161-375-00	CERAMIC	0.0022MF	30%	16V
C160	1-162-282-31	CERAMIC	100PF	10%	50V	C409	1-136-155-00	FILM	0.015MF	5%	50V
C221	1-124-925-11	ELECT	2.2MF	20%	50V	C410	1-161-329-00	CERAMIC	0.0068MF	30%	16V
C222	1-124-438-00	ELECT	1MF	20%	50V	C411	1-136-159-00	FILM	0.033MF	5%	50V
C223	1-123-875-11	ELECT	10MF	20%	50V	C412	1-136-155-00	FILM	0.015MF	5%	50V
C224	1-124-438-00	ELECT	1MF	20%	50V	C413	1-136-163-00	FILM	0.068MF	5%	50V
C225	1-161-379-00	CERAMIC	0.01MF	30%	16V	C414	1-136-159-00	FILM	0.033MF	5%	50V
C226	1-125-486-11	DOUBLE LAYERS	0.22F		5.5V	C415	1-124-464-11	ELECT	0.22MF	20%	50V
C227	1-124-360-00	ELECT	1000MF	20%	16V	C416	1-136-163-00	FILM	0.068MF	5%	50V
C228	1-136-153-00	FILM	0.01MF	5%	50V	C417	1-124-438-00	ELECT	1MF	20%	50V
C229	1-136-153-00	FILM	0.01MF	5%	50V	C418	1-124-463-00	ELECT	0.1MF	20%	50V
C301	1-162-294-31	CERAMIC	0.001MF	10%	50V	C419	1-126-157-11	ELECT	10MF	20%	16V
C302	1-162-294-31	CERAMIC	0.001MF	10%	50V	C420	1-124-438-00	ELECT	1MF	20%	50V
C303	1-162-294-31	CERAMIC	0.001MF	10%	50V	C421	1-162-282-31	CERAMIC	100PF	10%	50V
C304	1-162-294-31	CERAMIC	0.001MF	10%	50V	C451	1-162-282-31	CERAMIC	100PF	10%	50V
						C452	1-124-438-00	ELECT	1MF	20%	50V
						C453	1-124-438-00	ELECT	1MF	20%	50V
						C455	1-161-375-00	CERAMIC	0.0022MF	30%	16V

Note: The components identified by mark Δ or dotted line with mark Δ are critical for safety. Replace only with part number specified.

Ref.No	Part No.	Description			
C456	1-162-294-31	CERAMIC	0.001MF	10%	50V
C457	1-161-377-00	CERAMIC	0.0047MF	30%	16V
C458	1-161-375-00	CERAMIC	0.0022MF	30%	16V
C459	1-136-155-00	FILM	0.015MF	5%	50V
C460	1-161-329-00	CERAMIC	0.0068MF	30%	16V
C461	1-136-159-00	FILM	0.033MF	5%	50V
C462	1-136-155-00	FILM	0.015MF	5%	50V
C463	1-136-163-00	FILM	0.068MF	5%	50V
C464	1-136-159-00	FILM	0.033MF	5%	50V
C465	1-124-464-11	ELECT	0.22MF	20%	50V
C466	1-136-163-00	FILM	0.068MF	5%	50V
C467	1-124-438-00	ELECT	1MF	20%	50V
C468	1-124-463-00	ELECT	0.1MF	20%	50V
C469	1-126-157-11	ELECT	10MF	20%	16V
C470	1-124-438-00	ELECT	1MF	20%	50V
C471	1-162-282-31	CERAMIC	100PF	10%	50V
C501	1-126-157-11	ELECT	10MF	20%	16V
C502	1-126-157-11	ELECT	10MF	20%	16V
C503	1-124-234-00	ELECT	22MF	20%	16V
C504	1-124-234-00	ELECT	22MF	20%	16V
C505	1-124-589-11	ELECT	47MF	20%	16V
C506	1-126-157-11	ELECT	10MF	20%	16V
C507	1-126-157-11	ELECT	10MF	20%	16V
C508	1-124-463-00	ELECT	0.1MF	20%	50V
C509	1-124-465-00	ELECT	0.47MF	20%	50V
C510	1-161-329-00	CERAMIC	0.0068MF	30%	16V
C511	1-161-329-00	CERAMIC	0.0068MF	30%	16V
C512	1-136-163-00	FILM	0.068MF	5%	50V
C513	1-124-463-00	ELECT	0.1MF	20%	50V
C514	1-136-159-00	FILM	0.033MF	5%	50V
C515	1-124-463-00	ELECT	0.1MF	20%	50V
C516	1-161-329-00	CERAMIC	0.0068MF	30%	16V
C517	1-161-329-00	CERAMIC	0.0068MF	30%	16V
C518	1-124-465-00	ELECT	0.47MF	20%	50V
C519	1-162-292-31	CERAMIC	680PF	10%	50V
C520	1-162-292-31	CERAMIC	680PF	10%	50V
C521	1-161-377-00	CERAMIC	0.0047MF	30%	16V
C522	1-124-464-11	ELECT	0.22MF	20%	50V
C523	1-161-375-00	CERAMIC	0.0022MF	30%	16V
C524	1-124-464-11	ELECT	0.22MF	20%	50V
C525	1-162-294-31	CERAMIC	0.001MF	10%	50V
C526	1-124-465-00	ELECT	0.47MF	20%	50V
C527	1-162-288-31	CERAMIC	330PF	10%	50V
C528	1-161-379-00	CERAMIC	0.01MF	30%	16V
C529	1-124-234-00	ELECT	22MF	20%	16V
C530	1-126-157-11	ELECT	10MF	20%	16V
C531	1-126-157-11	ELECT	10MF	20%	16V
C532	1-126-157-11	ELECT	10MF	20%	16V
C551	1-162-294-31	CERAMIC	0.001MF	10%	50V
C552	1-162-294-31	CERAMIC	0.001MF	10%	50V
C553	1-162-294-31	CERAMIC	0.001MF	10%	50V
C601	1-136-165-00	FILM	0.1MF	5%	50V
C602	1-136-165-00	FILM	0.1MF	5%	50V
C603	1-124-438-00	ELECT	1MF	20%	50V
C604	1-126-157-11	ELECT	10MF	20%	16V
C605	1-162-282-31	CERAMIC	100PF	10%	50V
C606	1-162-288-31	CERAMIC	330PF	10%	50V
C610	1-124-963-11	ELECT	33MF	20%	16V
C611	1-124-598-11	ELECT	22MF	20%	25V
C612	1-124-463-00	ELECT	0.1MF	20%	50V
C621	1-124-438-00	ELECT	1MF	20%	50V
C622	1-162-282-31	CERAMIC	100PF	10%	50V
C623	1-162-282-31	CERAMIC	100PF	10%	50V
C624	1-124-122-11	ELECT	100MF	20%	50V
C625	1-124-910-11	ELECT	47MF	20%	50V

Ref.No	Part No.	Description			
C626	1-136-165-00	FILM	0.1MF	5%	50V
C630	1-123-875-11	ELECT	10MF	20%	50V
C631	1-124-122-11	ELECT	100MF	20%	50V
C632	1-123-875-11	ELECT	10MF	20%	50V
C651	1-136-165-00	FILM	0.1MF	5%	50V
C652	1-136-165-00	FILM	0.1MF	5%	50V
C653	1-124-438-00	ELECT	1MF	20%	50V
C654	1-126-157-11	ELECT	10MF	20%	16V
C655	1-162-282-31	CERAMIC	100PF	10%	50V
C656	1-162-288-31	CERAMIC	330PF	10%	50V
C671	1-124-438-00	ELECT	1MF	20%	50V
C672	1-162-282-31	CERAMIC	100PF	10%	50V
C673	1-162-282-31	CERAMIC	100PF	10%	50V
C674	1-124-122-11	ELECT	100MF	20%	50V
C675	1-124-910-11	ELECT	47MF	20%	50V
C676	1-136-165-00	FILM	0.1MF	5%	50V
C701	1-126-094-11	ELECT	4.7MF	20%	35V
C702	1-124-120-11	ELECT	220MF	20%	16V
C703	1-124-120-11	ELECT	220MF	20%	16V
C704	1-161-379-00	CERAMIC	0.01MF	30%	16V
C705	1-161-494-00	CERAMIC	0.022MF		25V
C706	1-124-910-11	ELECT	47MF	20%	50V
C751	1-126-094-11	ELECT	4.7MF	20%	35V
C901	1-126-224-11	ELECT	4700MF	20%	42V
C902	1-126-224-11	ELECT	4700MF	20%	42V
C903	1-124-927-11	ELECT	4.7MF	20%	50V
C904	1-136-165-00	FILM	0.1MF	5%	50V
C905	1-136-165-00	FILM	0.1MF	5%	50V
C906	1-126-103-11	ELECT	470MF	20%	16V
C907	1-123-875-11	ELECT	10MF	20%	50V
C908	1-124-636-00	ELECT	3300MF	20%	25V
C909	1-124-563-11	ELECT	2200MF	20%	25V
C910	1-136-153-00	FILM	0.01MF	5%	50V
C911	1-136-153-00	FILM	0.01MF	5%	50V
C912	1-101-006-00	CERAMIC	0.047MF		50V
C951	1-124-499-11	ELECT	1MF	20%	50V
C952	1-124-499-11	ELECT	1MF	20%	50V
C953	1-162-294-31	CERAMIC	0.001MF	10%	50V
C954	1-124-927-11	ELECT	4.7MF	20%	50V
C955	1-124-910-11	ELECT	47MF	20%	50V
C956	1-124-360-00	ELECT	1000MF	20%	16V
C957	1-123-875-11	ELECT	10MF	20%	50V
C958	△ 1-162-599-12	CERAMIC	0.0047MF	20%	400V
C959	1-136-153-00	FILM	0.01MF	5%	50V
C960	1-126-233-11	ELECT	22MF	20%	50V
C961	1-136-165-00	FILM	0.1MF	5%	50V
CN101	*1-566-858-11	SOCKET, CONNECTOR 11P (FOR ST)			
CN102	1-564-610-41	CONNECTOR, BOARD TO BOARD 10P			
CN103	*1-565-291-11	SOCKET, CONNECTOR 13P (FOR TC)			
CN104	1-506-979-31	CONNECTOR, BOARD TO BOARD 13P			
CN201	*1-564-499-11	PIN, CONNECTOR 6P			
CN202	*1-564-501-11	PIN, CONNECTOR 8P			
CN203	*1-564-500-11	PIN, CONNECTOR 7P			
CN401	*1-564-501-11	PIN, CONNECTOR 8P			
CN403	*1-564-501-11	PIN, CONNECTOR 8P			
CN405	*1-564-495-11	PIN, CONNECTOR 2P			
CN601	*1-564-497-11	PIN, CONNECTOR 4P			
CN602	*1-564-521-11	PLUG, CONNECTOR 6P			
CN603	*1-564-517-11	PLUG, CONNECTOR 2P			
CN604	*1-564-520-11	PLUG, CONNECTOR 5P			
CN651	*1-562-249-00	SOCKET, CONNECTOR 4P (FOR CD)			
CN652	*1-564-337-00	PIN, CONNECTOR 3P			
CN691	1-564-980-11	PIN, CONNECTOR 4P			
CN801	*1-564-495-11	PIN, CONNECTOR 2P			
CN901	*1-564-517-11	PLUG, CONNECTOR 2P			

Note: The components identified by mark  or dotted line with mark  are critical for safety. Replace only with part number specified.

Ref.No	Part No.	Description	Ref.No	Part No.	Description
CN951	*1-564-340-00	PIN, CONNECTOR 6P	D961	8-719-000-26	DIODE US1060M
CN952	*1-564-337-00	PIN, CONNECTOR 3P	D962	8-719-000-26	DIODE US1060M
D201	8-719-000-26	DIODE US1060M	DP101	*1-562-251-00	SOCKET, CONNECTOR 6P
D202	8-719-000-26	DIODE US1060M	F951	△,1-532-285-00	FUSE, TIME-LAG (1.25A)
D203	8-719-000-26	DIODE US1060M	F952	△,1-532-285-00	FUSE, TIME-LAG (1.25A)
D204	8-719-000-26	DIODE US1060M	IC101	8-759-600-02	IC M5218L
D205	8-719-000-26	DIODE US1060M	IC102	8-759-800-33	IC LC7815H
D206	8-719-000-26	DIODE US1060M	IC301	8-759-804-48	IC LC7060AN
D207	8-719-000-26	DIODE US1060M	IC302	8-759-600-02	IC M5218L
D301	8-719-000-26	DIODE US1060M	IC303	8-759-602-60	IC M50765-440SP
D303	8-719-000-26	DIODE US1060M	IC401	8-759-600-02	IC M5218L
D304	8-719-000-26	DIODE US1060M	IC402	8-759-804-49	IC LC7522
D305	8-719-000-26	DIODE US1060M	IC403	8-759-113-18	IC UPC4574C
D306	8-719-000-26	DIODE US1060M	IC404	8-759-805-12	IC LC7560B
D307	8-719-000-26	DIODE US1060M	IC405	8-759-204-30	IC TC9176P
D308	8-719-000-26	DIODE US1060M	IC601	8-759-600-02	IC M5218L
D309	8-719-000-26	DIODE US1060M	IC602	8-749-941-52	IC STK4152H
D310	8-719-000-26	DIODE US1060M	IC701	8-759-111-68	IC UPC1237HA
D311	8-719-000-26	DIODE US1060M	IC901	8-759-604-84	IC M5F7806
D313	8-719-301-61	DIODE SEL2910A-D	IC902	8-759-604-32	IC M5F7810
D314	8-719-301-61	DIODE SEL2910A-D	IC903	8-759-604-50	IC M5F7910
D315	8-719-301-61	DIODE SEL2910A-D	IC951	8-759-820-50	IC LC6528C-3649
D316	8-719-301-61	DIODE SEL2910A-D	IC952	8-759-604-84	IC M5F7806
D317	8-719-301-61	DIODE SEL2910A-D	ICP101	△,1-532-841-21	LINK, IC
D318	8-719-301-61	DIODE SEL2910A-D	ICP901	△,1-532-846-21	LINK, IC
D319	8-719-301-46	DIODE SEL2413E	ICP902	△,1-532-846-21	LINK, IC
D320	8-719-301-46	DIODE SEL2413E	J101	1-563-562-11	JACK, PIN 4P (CD/AUX PHONO)
D321	8-719-301-46	DIODE SEL2413E	J801	1-507-974-11	JACK (MIC)
D322	8-719-301-46	DIODE SEL2413E	J851	1-563-951-11	JACK (PHONES)
D323	8-719-000-57	DIODE UZL-6M1	L501	1-410-601-11	INDUCTOR 100UH
D324	8-719-938-84	DIODE AY3427S	L951	1-410-601-11	INDUCTOR 100UH
D325	8-719-000-26	DIODE US1060M	LCD1	1-807-813-11	DISPLAY PANEL, LIQUID CRYSTAL
D501	8-719-000-26	DIODE US1060M	PL401	1-518-527-51	LAMP, PILOT
D502	8-719-000-26	DIODE US1060M	PL402	1-518-527-51	LAMP, PILOT
D503	8-719-000-26	DIODE US1060M	Q301	8-729-119-76	TRANSISTOR 2SA1115P
D504	8-719-000-26	DIODE US1060M	Q302	8-729-119-76	TRANSISTOR 2SA1115P
D505	8-719-000-26	DIODE US1060M	Q303	8-729-119-76	TRANSISTOR 2SA1115P
D506	8-719-000-26	DIODE US1060M	Q304	8-729-119-76	TRANSISTOR 2SA1115P
D507	8-719-000-26	DIODE US1060M	Q305	8-729-119-76	TRANSISTOR 2SA1115P
D508	8-719-000-26	DIODE US1060M	Q306	8-729-119-76	TRANSISTOR 2SA1115P
D509	8-719-000-26	DIODE US1060M	Q307	8-729-119-78	TRANSISTOR 2SC2785-HFE
D510	8-719-000-26	DIODE US1060M	Q308	8-729-119-78	TRANSISTOR 2SC2785-HFE
D511	8-719-120-41	DIODE RD4.7ES-L2	Q401	8-729-119-78	TRANSISTOR 2SC2785-HFE
D601	8-719-000-26	DIODE US1060M	Q402	8-729-119-78	TRANSISTOR 2SC2785-HFE
D701	8-719-000-26	DIODE US1060M	Q403	8-729-119-78	TRANSISTOR 2SC2785-HFE
D901	8-719-302-38	DIODE RBV-602-01	Q404	8-729-119-78	TRANSISTOR 2SC2785-HFE
D902	8-719-000-26	DIODE US1060M	Q405	8-729-119-78	TRANSISTOR 2SC2785-HFE
D903	8-719-200-02	DIODE 10E2	Q406	8-729-119-78	TRANSISTOR 2SC2785-HFE
D904	8-719-200-02	DIODE 10E2	Q407	8-729-119-78	TRANSISTOR 2SC2785-HFE
D905	8-719-200-02	DIODE 10E2	Q408	8-729-600-08	TRANSISTOR 2SK381E
D906	8-719-200-02	DIODE 10E2	Q409	8-729-119-78	TRANSISTOR 2SC2785-HFE
D907	8-719-000-26	DIODE US1060M	Q410	8-729-119-76	TRANSISTOR 2SA1115P
D908	8-719-000-26	DIODE US1060M	Q451	8-729-119-78	TRANSISTOR 2SC2785-HFE
D909	8-719-000-26	DIODE US1060M	Q452	8-729-119-78	TRANSISTOR 2SC2785-HFE
D910	8-719-000-26	DIODE US1060M	Q453	8-729-119-78	TRANSISTOR 2SC2785-HFE
D951	8-719-200-02	DIODE 10E2	Q454	8-729-119-78	TRANSISTOR 2SC2785-HFE
D952	8-719-200-02	DIODE 10E2	Q455	8-729-119-78	TRANSISTOR 2SC2785-HFE
D953	8-719-200-02	DIODE 10E2	Q456	8-729-119-78	TRANSISTOR 2SC2785-HFE
D954	8-719-200-02	DIODE 10E2	Q457	8-729-119-78	TRANSISTOR 2SC2785-HFE
D955	8-719-000-26	DIODE US1060M	Q458	8-729-600-08	TRANSISTOR 2SK381E
D956	8-719-000-26	DIODE US1060M	Q459	8-729-119-78	TRANSISTOR 2SC2785-HFE
D957	8-719-000-26	DIODE US1060M			
D958	8-719-000-26	DIODE US1060M			
D959	8-719-000-26	DIODE US1060M			
D960	8-719-301-38	DIODE SEL2210S-C			

Note: The components identified by mark △ or dotted line with mark △ are critical for safety. Replace only with part number specified.

Ref.No	Part No.	Description						
Q601	8-729-600-65	TRANSISTOR 2SC634SP-48						
Q651	8-729-600-65	TRANSISTOR 2SC634SP-48						
Q691	8-729-600-95	TRANSISTOR 2SK381D						
Q701	8-729-108-05	TRANSISTOR 2SC1841PA						
Q702	8-729-119-76	TRANSISTOR 2SA1115P						
Q751	8-729-108-05	TRANSISTOR 2SC1841PA						
Q951	8-729-900-61	TRANSISTOR DTA114ES						
Q952	8-729-119-78	TRANSISTOR 2SC2785-HFE						
Q953	8-729-116-57	TRANSISTOR 2SB1068						
Q954	8-729-119-76	TRANSISTOR 2SA1115P						
<u>RESISTOR</u>								
R101	1-249-417-11	CARBON	1K	5%	1/4W			
R102	1-249-417-11	CARBON	1K	5%	1/4W			
R103	1-249-438-11	CARBON	56K	5%	1/4W			
R104	1-249-418-11	CARBON	1.2K	5%	1/4W			
R105	1-249-437-11	CARBON	47K	5%	1/4W			
R106	1-247-897-11	CARBON	560K	5%	1/4W			
R107	1-249-421-11	CARBON	2.2K	5%	1/4W			
R108	1-249-411-11	CARBON	330	5%	1/4W			
R109	1-249-433-11	CARBON	22K	5%	1/4W			
R151	1-249-417-11	CARBON	1K	5%	1/4W			
R152	1-249-417-11	CARBON	1K	5%	1/4W			
R153	1-249-438-11	CARBON	56K	5%	1/4W			
R154	1-249-418-11	CARBON	1.2K	5%	1/4W			
R155	1-249-437-11	CARBON	47K	5%	1/4W			
R156	1-247-897-11	CARBON	560K	5%	1/4W			
R157	1-249-421-11	CARBON	2.2K	5%	1/4W			
R158	1-249-411-11	CARBON	330	5%	1/4W			
R159	1-249-433-11	CARBON	22K	5%	1/4W			
R201	1-247-891-00	CARBON	330K	5%	1/4W			
R202	1-247-891-00	CARBON	330K	5%	1/4W			
R203	1-249-429-11	CARBON	10K	5%	1/4W			
R204	1-247-891-00	CARBON	330K	5%	1/4W			
R206	1-249-417-11	CARBON	1K	5%	1/4W			
R207	1-249-428-11	CARBON	8.2K	5%	1/4W			
R208	1-249-417-11	CARBON	1K	5%	1/4W			
R209	1-249-425-11	CARBON	4.7K	5%	1/4W			
R210	1-249-405-11	CARBON	100	5%	1/4W			
R211	1-249-437-11	CARBON	47K	5%	1/4W			
R221	1-249-441-11	CARBON	100K	5%	1/4W			
R222	1-249-417-11	CARBON	1K	5%	1/4W			
R223	1-247-895-00	CARBON	470K	5%	1/4W			
R224	1-247-895-00	CARBON	470K	5%	1/4W			
R225	1-247-891-00	CARBON	330K	5%	1/4W			
R251	1-247-891-00	CARBON	330K	5%	1/4W			
R252	1-247-891-00	CARBON	330K	5%	1/4W			
R253	1-249-429-11	CARBON	10K	5%	1/4W			
R254	1-247-891-00	CARBON	330K	5%	1/4W			
R256	1-249-417-11	CARBON	1K	5%	1/4W			
R257	1-249-428-11	CARBON	8.2K	5%	1/4W			
R258	1-249-417-11	CARBON	1K	5%	1/4W			
R259	1-249-425-11	CARBON	4.7K	5%	1/4W			
R291	1-249-429-11	CARBON	10K	5%	1/4W			
R301	1-249-429-11	CARBON	10K	5%	1/4W			
R302	1-249-429-11	CARBON	10K	5%	1/4W			
R303	1-249-429-11	CARBON	10K	5%	1/4W			
R304	1-249-429-11	CARBON	10K	5%	1/4W			
R305	1-247-891-00	CARBON	330K	5%	1/4W			
R306	1-247-903-00	CARBON	1M	5%	1/4W			
R307	1-249-425-11	CARBON	4.7K	5%	1/4W			
R308	1-249-429-11	CARBON	10K	5%	1/4W			
R309	1-249-429-11	CARBON	10K	5%	1/4W			
R315	1-249-417-11	CARBON	1K	5%	1/4W			
R316	1-249-441-11	CARBON	100K	5%	1/4W			
R317	1-249-441-11	CARBON	100K	5%	1/4W			
R318	1-249-441-11	CARBON	100K	5%	1/4W			
R319	1-249-441-11	CARBON	100K	5%	1/4W			
R320	1-249-417-11	CARBON	1K	5%	1/4W			
R321	1-249-417-11	CARBON	1K	5%	1/4W			
R322	1-249-417-11	CARBON	1K	5%	1/4W			
R323	1-249-417-11	CARBON	1K	5%	1/4W			
R324	1-249-414-11	CARBON	560	5%	1/4W			
R325	1-249-429-11	CARBON	10K	5%	1/4W			
R326	1-249-429-11	CARBON	10K	5%	1/4W			
R327	1-249-429-11	CARBON	10K	5%	1/4W			
R328	1-249-429-11	CARBON	10K	5%	1/4W			
R329	1-249-423-11	CARBON	3.3K	5%	1/4W			
R330	1-249-423-11	CARBON	3.3K	5%	1/4W			
R331	1-249-423-11	CARBON	3.3K	5%	1/4W			
R332	1-249-423-11	CARBON	3.3K	5%	1/4W			
R333	1-249-429-11	CARBON	10K	5%	1/4W			
R334	1-249-429-11	CARBON	10K	5%	1/4W			
R335	1-249-429-11	CARBON	10K	5%	1/4W			
R336	1-249-429-11	CARBON	10K	5%	1/4W			
R337	1-249-429-11	CARBON	10K	5%	1/4W			
R338	1-249-415-11	CARBON	680	5%	1/4W			
R339	1-249-433-11	CARBON	22K	5%	1/4W			
R340	1-249-441-11	CARBON	100K	5%	1/4W			
R341	1-249-425-11	CARBON	4.7K	5%	1/4W			
R342	1-249-429-11	CARBON	10K	5%	1/4W			
R343	1-249-417-11	CARBON	1K	5%	1/4W			
R344	1-249-434-11	CARBON	27K	5%	1/4W			
R345	1-249-434-11	CARBON	27K	5%	1/4W			
R346	1-249-426-11	CARBON	5.6K	5%	1/4W			
R347	1-249-426-11	CARBON	5.6K	5%	1/4W			
R348	1-249-438-11	CARBON	56K	5%	1/4W			
R349	1-249-438-11	CARBON	56K	5%	1/4W			
R352	1-249-409-11	CARBON	220	5%	1/4W			
R353	1-249-409-11	CARBON	220	5%	1/4W			
R355	1-249-429-11	CARBON	10K	5%	1/4W			
R356	1-249-429-11	CARBON	10K	5%	1/4W			
R357	1-249-429-11	CARBON	10K	5%	1/4W			
R358	1-249-429-11	CARBON	10K	5%	1/4W			
R359	1-249-429-11	CARBON	10K	5%	1/4W			
R360	1-249-429-11	CARBON	10K	5%	1/4W			
R361	1-249-429-11	CARBON	10K	5%	1/4W			
R362	1-249-429-11	CARBON	10K	5%	1/4W			
R363	1-249-429-11	CARBON	10K	5%	1/4W			
R364	1-249-429-11	CARBON	10K	5%	1/4W			
R365	1-249-429-11	CARBON	10K	5%	1/4W			
R366	1-249-410-11	CARBON	270	5%	1/4W			
R367	1-249-441-11	CARBON	100K	5%	1/4W			
R368	1-249-423-11	CARBON	3.3K	5%	1/4W			
R369	1-247-903-00	CARBON	1M	5%	1/4W			
R371	1-249-429-11	CARBON	10K	5%	1/4W			
R372	1-249-429-11	CARBON	10K	5%	1/4W			
R373	1-249-425-11	CARBON	4.7K	5%	1/4W			
R374	1-249-409-11	CARBON	220	5%	1/4W			
R375	1-249-441-11	CARBON	100K	5%	1/4W			
R376	1-249-429-11	CARBON	10K	5%	1/4W			
R377	1-249-410-11	CARBON	270	5%	1/4W			
R378	1-249-410-11	CARBON	270	5%	1/4W			
R379	1-249-410-11	CARBON	270	5%	1/4W			
R380	1-249-410-11	CARBON	270	5%	1/4W			
R381	1-249-410-11	CARBON	270	5%	1/4W			
R382	1-249-417-11	CARBON	1K	5%	1/4W			
R383	1-249-441-11	CARBON	100K	5%	1/4W			
R384	1-249-429-11	CARBON	10K	5%	1/4W			
R385	1-249-429-11	CARBON	10K	5%	1/4W			
R386	1-249-429-11	CARBON	10K	5%	1/4W			

Ref.No	Part No.	Description			
R388	1-247-903-00	CARBON	1M	5%	1/4W
R389	1-249-417-11	CARBON	1K	5%	1/4W
R401	1-249-429-11	CARBON	10K	5%	1/4W
R402	1-247-903-00	CARBON	1M	5%	1/4W
R403	1-249-429-11	CARBON	10K	5%	1/4W
R405	1-249-430-11	CARBON	12K	5%	1/4W
R406	1-249-416-11	CARBON	820	5%	1/4W
R407	1-249-441-11	CARBON	100K	5%	1/4W
R408	1-247-903-00	CARBON	1M	5%	1/4W
R409	1-247-895-00	CARBON	470K	5%	1/4W
R410	1-247-895-00	CARBON	470K	5%	1/4W
R411	1-249-430-11	CARBON	12K	5%	1/4W
R412	1-249-416-11	CARBON	820	5%	1/4W
R413	1-249-441-11	CARBON	100K	5%	1/4W
R414	1-247-903-00	CARBON	1M	5%	1/4W
R415	1-249-430-11	CARBON	12K	5%	1/4W
R416	1-249-413-11	CARBON	470	5%	1/4W
R417	1-249-441-11	CARBON	100K	5%	1/4W
R418	1-247-903-00	CARBON	1M	5%	1/4W
R419	1-249-430-11	CARBON	12K	5%	1/4W
R420	1-249-414-11	CARBON	560	5%	1/4W
R421	1-249-441-11	CARBON	100K	5%	1/4W
R422	1-247-903-00	CARBON	1M	5%	1/4W
R423	1-249-430-11	CARBON	12K	5%	1/4W
R424	1-249-415-11	CARBON	680	5%	1/4W
R425	1-249-441-11	CARBON	100K	5%	1/4W
R426	1-247-903-00	CARBON	1M	5%	1/4W
R427	1-249-430-11	CARBON	12K	5%	1/4W
R428	1-249-415-11	CARBON	680	5%	1/4W
R429	1-249-441-11	CARBON	100K	5%	1/4W
R430	1-247-903-00	CARBON	1M	5%	1/4W
R431	1-249-430-11	CARBON	12K	5%	1/4W
R432	1-249-415-11	CARBON	680	5%	1/4W
R433	1-249-441-11	CARBON	100K	5%	1/4W
R434	1-247-895-00	CARBON	470K	5%	1/4W
R435	1-247-895-00	CARBON	470K	5%	1/4W
R436	1-247-895-00	CARBON	470K	5%	1/4W
R437	1-247-903-00	CARBON	1M	5%	1/4W
R438	1-249-421-11	CARBON	2.2K	5%	1/4W
R439	1-247-887-00	CARBON	220K	5%	1/4W
R440	1-249-435-11	CARBON	33K	5%	1/4W
R441	1-249-425-11	CARBON	4.7K	5%	1/4W
R451	1-249-429-11	CARBON	10K	5%	1/4W
R452	1-247-903-00	CARBON	1M	5%	1/4W
R453	1-249-429-11	CARBON	10K	5%	1/4W
R455	1-249-430-11	CARBON	12K	5%	1/4W
R456	1-249-416-11	CARBON	820	5%	1/4W
R457	1-249-441-11	CARBON	100K	5%	1/4W
R458	1-247-903-00	CARBON	1M	5%	1/4W
R459	1-247-895-00	CARBON	470K	5%	1/4W
R460	1-247-895-00	CARBON	470K	5%	1/4W
R461	1-249-430-11	CARBON	12K	5%	1/4W
R462	1-249-416-11	CARBON	820	5%	1/4W
R463	1-249-441-11	CARBON	100K	5%	1/4W
R464	1-247-903-00	CARBON	1M	5%	1/4W
R465	1-249-430-11	CARBON	12K	5%	1/4W
R466	1-249-413-11	CARBON	470	5%	1/4W
R467	1-249-441-11	CARBON	100K	5%	1/4W
R468	1-247-903-00	CARBON	1M	5%	1/4W
R469	1-249-430-11	CARBON	12K	5%	1/4W
R470	1-249-414-11	CARBON	560	5%	1/4W
R471	1-249-441-11	CARBON	100K	5%	1/4W
R472	1-247-903-00	CARBON	1M	5%	1/4W
R473	1-249-430-11	CARBON	12K	5%	1/4W
R474	1-249-415-11	CARBON	680	5%	1/4W

Ref.No	Part No.	Description			
R475	1-249-441-11	CARBON	100K	5%	1/4W
R476	1-247-903-00	CARBON	1M	5%	1/4W
R477	1-249-430-11	CARBON	12K	5%	1/4W
R478	1-249-415-11	CARBON	680	5%	1/4W
R479	1-249-441-11	CARBON	100K	5%	1/4W
R480	1-247-903-00	CARBON	1M	5%	1/4W
R481	1-249-430-11	CARBON	12K	5%	1/4W
R482	1-249-415-11	CARBON	680	5%	1/4W
R483	1-249-441-11	CARBON	100K	5%	1/4W
R484	1-247-895-00	CARBON	470K	5%	1/4W
R485	1-247-895-00	CARBON	470K	5%	1/4W
R486	1-247-895-00	CARBON	470K	5%	1/4W
R487	1-247-903-00	CARBON	1M	5%	1/4W
R488	1-249-421-11	CARBON	2.2K	5%	1/4W
R489	1-247-887-00	CARBON	220K	5%	1/4W
R490	1-249-435-11	CARBON	33K	5%	1/4W
R491	1-249-425-11	CARBON	4.7K	5%	1/4W
R501	1-249-409-11	CARBON	220	5%	1/4W
R502	1-249-409-11	CARBON	220	5%	1/4W
R505	1-249-429-11	CARBON	10K	5%	1/4W
R506	1-249-429-11	CARBON	10K	5%	1/4W
R507	1-249-437-11	CARBON	47K	5%	1/4W
R508	1-249-437-11	CARBON	47K	5%	1/4W
R509	1-247-895-00	CARBON	470K	5%	1/4W
R510	1-249-431-11	CARBON	15K	5%	1/4W
R511	1-247-903-00	CARBON	1M	5%	1/4W
R512	1-249-439-11	CARBON	68K	5%	1/4W
R513	1-249-435-11	CARBON	33K	5%	1/4W
R514	1-247-895-00	CARBON	470K	5%	1/4W
R515	1-249-432-11	CARBON	18K	5%	1/4W
R516	1-247-903-00	CARBON	1M	5%	1/4W
R517	1-249-430-11	CARBON	12K	5%	1/4W
R518	1-247-903-00	CARBON	1M	5%	1/4W
R519	1-249-438-11	CARBON	56K	5%	1/4W
R520	1-249-424-11	CARBON	3.9K	5%	1/4W
R521	1-247-883-00	CARBON	150K	5%	1/4W
R522	1-249-409-11	CARBON	220	5%	1/4W
R523	1-247-903-00	CARBON	1M	5%	1/4W
R524	1-249-436-11	CARBON	39K	5%	1/4W
R525	1-249-432-11	CARBON	18K	5%	1/4W
R526	1-247-889-00	CARBON	270K	5%	1/4W
R527	1-249-431-11	CARBON	15K	5%	1/4W
R528	1-247-903-00	CARBON	1M	5%	1/4W
R529	1-249-429-11	CARBON	10K	5%	1/4W
R530	1-247-903-00	CARBON	1M	5%	1/4W
R531	1-249-432-11	CARBON	18K	5%	1/4W
R532	1-247-903-00	CARBON	1M	5%	1/4W
R535	1-247-903-00	CARBON	1M	5%	1/4W
R536	1-247-891-00	CARBON	330K	5%	1/4W
R537	1-247-903-00	CARBON	1M	5%	1/4W
R538	1-247-887-00	CARBON	220K	5%	1/4W
R544	1-249-411-11	CARBON	330	5%	1/4W
R551	1-249-426-11	CARBON	5.6K	5%	1/4W
R601	1-249-431-11	CARBON	15K	5%	1/4W
R602	1-249-421-11	CARBON	2.2K	5%	1/4W
R603	1-247-895-00	CARBON	470K	5%	1/4W
R604	1-249-421-11	CARBON	2.2K	5%	1/4W
R605	1-249-425-11	CARBON	4.7K	5%	1/4W
R606	1-247-903-00	CARBON	1M	5%	1/4W
R607	1-249-429-11	CARBON	10K	5%	1/4W
R608	1-249-429-11	CARBON	10K	5%	1/4W
R619	1-249-417-11	CARBON	1K	5%	1/4W
R620	1-249-417-11	CARBON	1K	5%	1/4W
R621	1-249-414-11	CARBON	560	5%	1/4W
R622	1-249-441-11	CARBON	100K	5%	1/4W

Ref.No	Part No.	Description				
R623	1-247-903-00	CARBON	1M	5%	1/4W	
R624	1-249-429-11	CARBON	10K	5%	1/4W	
R631	1-249-425-11	CARBON	4.7K	5%	1/4W	
R632	1-249-438-11	CARBON	56K	5%	1/4W	
R633	1-249-438-11	CARBON	56K	5%	1/4W	
R634	1-249-414-11	CARBON	560	5%	1/4W	
R635	1-247-756-11	CARBON	2.2K	5%	1/2W	
R636	1-247-756-11	CARBON	2.2K	5%	1/2W	
R637	△.1-247-727-11	CARBON	10	5%	1/2W	F
R638	1-249-420-11	CARBON	1.8K	5%	1/4W	
R640	1-247-752-11	CARBON	1K	5%	1/2W	
R641	1-247-752-11	CARBON	1K	5%	1/2W	
R642	△.1-212-881-11	FUSIBLE	100	5%	1/4W	F
R643	△.1-212-881-11	FUSIBLE	100	5%	1/4W	F
R651	1-249-431-11	CARBON	15K	5%	1/4W	
R652	1-249-421-11	CARBON	2.2K	5%	1/4W	
R653	1-247-895-00	CARBON	470K	5%	1/4W	
R654	1-249-421-11	CARBON	2.2K	5%	1/4W	
R655	1-249-425-11	CARBON	4.7K	5%	1/4W	
R656	1-247-903-00	CARBON	1M	5%	1/4W	
R657	1-249-429-11	CARBON	10K	5%	1/4W	
R658	1-249-429-11	CARBON	10K	5%	1/4W	
R681	1-249-425-11	CARBON	4.7K	5%	1/4W	
R682	1-249-438-11	CARBON	56K	5%	1/4W	
R683	1-249-438-11	CARBON	56K	5%	1/4W	
R684	1-249-414-11	CARBON	560	5%	1/4W	
R685	1-247-756-11	CARBON	2.2K	5%	1/2W	
R686	1-247-756-11	CARBON	2.2K	5%	1/2W	
R687	△.1-247-727-11	CARBON	10	5%	1/2W	F
R688	1-249-420-11	CARBON	1.8K	5%	1/4W	
R691	1-249-417-11	CARBON	1K	5%	1/4W	
R692	1-249-439-11	CARBON	68K	5%	1/4W	
R693	1-249-441-11	CARBON	100K	5%	1/4W	
R701	1-217-151-00	METAL PLATE	0.22	10%	2W	
R702	1-249-414-11	CARBON	560	5%	1/4W	
R703	1-249-414-11	CARBON	560	5%	1/4W	
R704	1-247-881-00	CARBON	120K	5%	1/4W	
R705	1-249-441-11	CARBON	100K	5%	1/4W	
R706	1-249-433-11	CARBON	22K	5%	1/4W	
R707	1-249-429-11	CARBON	10K	5%	1/4W	
R708	1-249-433-11	CARBON	22K	5%	1/4W	
R709	1-249-433-11	CARBON	22K	5%	1/4W	
R710	△.1-247-744-11	CARBON	270	5%	1/2W	F
R711	1-249-429-11	CARBON	10K	5%	1/4W	
R712	1-249-437-11	CARBON	47K	5%	1/4W	
R751	1-217-151-00	METAL PLATE	0.22	10%	2W	
R752	1-249-414-11	CARBON	560	5%	1/4W	
R753	1-249-414-11	CARBON	560	5%	1/4W	
R754	1-247-881-00	CARBON	120K	5%	1/4W	
R851	△.1-247-750-11	CARBON	680	5%	1/2W	F
R852	△.1-247-750-11	CARBON	680	5%	1/2W	F
R901	1-249-426-11	CARBON	5.6K	5%	1/4W	
R902	△.1-217-490-00	FUSIBLE	56	5%	1W	F
R936	1-249-393-11	CARBON	10	5%	1/4W	
R951	1-249-425-11	CARBON	4.7K	5%	1/4W	
R952	1-249-426-11	CARBON	5.6K	5%	1/4W	
R953	1-249-429-11	CARBON	10K	5%	1/4W	
R954	1-249-429-11	CARBON	10K	5%	1/4W	
R955	1-249-417-11	CARBON	1K	5%	1/4W	
R956	1-249-429-11	CARBON	10K	5%	1/4W	
R957	1-249-429-11	CARBON	10K	5%	1/4W	
R958	1-249-430-11	CARBON	12K	5%	1/4W	
R959	1-249-441-11	CARBON	100K	5%	1/4W	
R960	1-249-425-11	CARBON	4.7K	5%	1/4W	
R961	1-249-425-11	CARBON	4.7K	5%	1/4W	

Ref.No	Part No.	Description				
R962	1-249-427-11	CARBON	6.8K	5%	1/4W	
R963	1-249-429-11	CARBON	10K	5%	1/4W	
R964	1-249-411-11	CARBON	330	5%	1/4W	
R965	1-249-429-11	CARBON	10K	5%	1/4W	
R966	1-249-425-11	CARBON	4.7K	5%	1/4W	
R967	1-249-419-11	CARBON	1.5K	5%	1/4W	
R968	1-249-405-11	CARBON	100	5%	1/4W	
RV301	1-237-646-11	RES, VAR, SLIDE 50K (MIC LEVEL)				
RV302	1-237-647-11	RES, VAR, SLIDE 100K (BALANCE)				
RY701	1-515-503-00	RELAY				
RY951	1-515-601-11	RELAY				
S301	1-554-303-21	SWITCH, KEY BOARD (63Hz)				
S302	1-554-303-21	SWITCH, KEY BOARD (150Hz)				
S303	1-554-303-21	SWITCH, KEY BOARD (400Hz)				
S304	1-554-303-21	SWITCH, KEY BOARD (1KHz)				
S305	1-554-303-21	SWITCH, KEY BOARD (3KHz)				
S306	1-554-303-21	SWITCH, KEY BOARD (6KHz)				
S307	1-554-303-21	SWITCH, KEY BOARD (14KHz)				
S308	1-554-303-21	SWITCH, KEY BOARD (EQ PRESET 1)				
S309	1-554-303-21	SWITCH, KEY BOARD (EQ PRESET 2)				
S310	1-554-303-21	SWITCH, KEY BOARD (EQ PRESET 3)				
S311	1-554-303-21	SWITCH, KEY BOARD (EQ FLAT)				
S312	1-554-303-21	SWITCH, KEY BOARD (DISPLAY)				
S313	1-554-303-21	SWITCH, KEY BOARD (EQ MEMORY)				
S314	1-554-303-21	SWITCH, KEY BOARD (EQ LEVEL -)				
S315	1-554-303-21	SWITCH, KEY BOARD (EQ LEVEL +)				
S316	1-554-303-21	SWITCH, KEY BOARD (TAPE)				
S317	1-554-303-21	SWITCH, KEY BOARD (CD)				
S318	1-554-303-21	SWITCH, KEY BOARD (TUNER)				
S319	1-554-303-21	SWITCH, KEY BOARD (PHONO)				
S320	1-554-303-21	SWITCH, KEY BOARD (VOLUME +)				
S321	1-554-303-21	SWITCH, KEY BOARD (VOLUME -)				
S322	1-554-303-21	SWITCH, KEY BOARD (MUTING)				
S323	1-554-419-00	SWITCH, PUSH (1 KEY) (SAT)				
S951	1-554-303-21	SWITCH, KEY BOARD (POWER)				
S952	△.1-571-437-11	SWITCH, POWER VOLTAGE CHANGE (VOLTAGE SELECTOR)				
T901	△.1-448-879-11	TRANSFORMER, POWER				
T951	△.1-449-194-11	TRANSFORMER, POWER				
TM901	1-536-705-00	TERMINAL BOARD (SP)				
VZ951	△.1-807-180-31	VARISTOR SNR-14A471U				
X301	1-527-532-00	OSCILLATOR, CERAMIC (400KHz)				
X302	1-527-532-00	OSCILLATOR, CERAMIC (400KHz)				
X951	1-567-819-11	VIBRATOR, CERAMIC (4MHz)				

Note: The components identified by mark △ or dotted line with mark △ are critical for safety. Replace only with part number specified.